



DEPARTMENT OF REGULATORY AND ECONOMIC RESOURCES (RER)
BOARD AND CODE ADMINISTRATION DIVISION

MIAMI-DADE COUNTY
PRODUCT CONTROL SECTION
11805 SW 26 Street, Room 208
Miami, Florida 33175-2474
T (786) 315-2590 F (786) 315-2599

www.miamidade.gov/economy

NOTICE OF ACCEPTANCE (NOA)

Structural Green, Inc.
271 W 59 Street
Hialeah, FL 33012

SCOPE:

This NOA is being issued under the applicable rules and regulations governing the use of construction materials. The documentation submitted has been reviewed and accepted by Miami-Dade County RER- Product Control Section to be used in Miami Dade County and other areas where allowed by the Authority Having Jurisdiction (AHJ).

This NOA shall not be valid after the expiration date stated below. The Miami-Dade County Product Control Section (In Miami Dade County) and/or the AHJ (in areas other than Miami Dade County) reserve the right to have this product or material tested for quality assurance purposes. If this product or material fails to perform in the accepted manner, the manufacturer will incur the expense of such testing and the AHJ may immediately revoke, modify, or suspend the use of such product or material within their jurisdiction. RER reserves the right to revoke this acceptance if it is determined by Miami-Dade County Product Control Section that this product or material fails to meet the requirements of the applicable building code.

This product is approved as described herein and has been designed to comply with the High Velocity Hurricane Zone of the Florida Building Code.

DESCRIPTION: Structural Green Composite Wall Panel System with EPS Core

APPROVAL DOCUMENT: Drawing No. SG.W, titled "Structural Green Composite Wall Panel System with EPS Core", sheets 1 through 8 of 8, prepared by Structural Green, Inc., dated April 12, 2021, signed and sealed by Juan Jose Santandreu, P.E., on June 02, 2023, bearing the Miami-Dade County Product Control Revision stamp with the Notice of Acceptance number and the expiration date by the Miami-Dade County Product Control Section

MISSILE IMPACT RATING: Large and Small Missile Impact Resistant

LABELING: Each panel shall bear a permanent label with the manufacturer's name or logo, city, state and the following statement: "Miami-Dade County Product Control Approved", unless otherwise noted herein.

RENEWAL of this NOA shall be considered after a renewal application has been filed and there has been no change in the applicable building code negatively affecting the performance of this product.

TERMINATION of this NOA will occur after the expiration date or if there has been a revision or change in the materials, use, and/or manufacture of the product or process. Misuse of this NOA as an endorsement of any product, for sales, advertising or any other purposes shall automatically terminate this NOA. Failure to comply with any section of this NOA shall be cause for termination and removal of NOA.

ADVERTISEMENT: The NOA number preceded by the words Miami-Dade County, Florida, and followed by the expiration date may be displayed in advertising literature. If any portion of the NOA is displayed, then it shall be done in its entirety.

INSPECTION: A copy of this entire NOA shall be provided to the user by the manufacturer or its distributors and shall be available for inspection at the job site at the request of the Building Official.

This NOA revises & renews NOA #21-0419.08 and consists of this page 1, evidence submitted pages E-1 & E-2 as well as approval document mentioned above.

The submitted documentation was reviewed by **Helmy A. Makar, P.E., M.S.**



Helmy A. Makar
08/03/2023

NOA No. 23-0606.02
Expiration Date: 06/07/2028
Approval Date: 08/03/2023

NOTICE OF ACCEPTANCE: EVIDENCE SUBMITTED

1. EVIDENCE SUBMITTED UNDER PREVIOUS APPROVAL #17-1023.01

A. DRAWINGS

1. Drawing No. SG.W, titled "Structural Green Composite Wall Panel System with EPS Core", sheets 1 through 8 of 8, prepared by Structural Green, Inc., dated May 30, 2018, signed and sealed by Juan Jose Santandreu, P.E.

B. TESTS

1. *Test report on Large Missile Impact Test, Cyclic Wind Pressure Test, and Uniform Static Air Pressure on Structural Green Composite Wall Panel System, prepared by FTL, Report #8265, dated 02/15/2017, signed and sealed by Idalmis Ortega, P.E.*

C. CALCULATIONS

1. *Calculations titled "Concrete Slender Wall", pages 1 through 9 of 9, prepared by Juan Jose Santandreu, P.E., signed and sealed by Juan Jose Santandreu, P.E*

D. MATERIAL CERTIFICATIONS

1. *None.*

E. QUALITY ASSURANCE

1. *By Miami-Dade County Department of Regulatory and Economic Resources.*

F. STATEMENTS

1. *FBC, 2017 Edition Compliance Letter, issued by Juan Jose Santandreu, P.E., dated October 20, 2017, signed and sealed by Juan Jose Santandreu, P.E*

2. EVIDENCE SUBMITTED UNDER PREVIOUS APPROVAL #21-0419.08

A. DRAWINGS

1. *Drawing No. SG.W, titled "Structural Green Composite Wall Panel System with EPS Core", sheets 1 through 8 of 8, prepared by Structural Green, Inc., dated April 12, 2021, signed and sealed by Juan Jose Santandreu, P.E.*

B. TESTS

1. *None.*

C. CALCULATIONS

1. *None.*

D. MATERIAL CERTIFICATIONS

1. *None.*

E. QUALITY ASSURANCE

1. *By Miami-Dade County Department of Regulatory and Economic Resources.*

F. STATEMENTS

1. *FBC, 2020 Edition Compliance Letter, dated 04/15/2021, issued, signed and sealed by Juan Jose Santandreu, P.E.*



Helmy A. Makar, P.E., M.S.

Product Control Section Supervisor

NOA No. 23-0606.02

Expiration Date: 06/07/2028

Approval Date: 08/03/2023

NOTICE OF ACCEPTANCE: EVIDENCE SUBMITTED

3. NEW EVIDENCE SUBMITTED

A. DRAWINGS

1. *Drawing No. SG.W, titled "Structural Green Composite Wall Panel System with EPS Core", sheets 1 through 8 of 8, prepared by Structural Green, Inc., dated April 12, 2021, signed and sealed by Juan Jose Santandreu, P.E., on June 02, 2023.*

B. TESTS

1. *None.*

C. CALCULATIONS

1. *None.*

D. MATERIAL CERTIFICATIONS

1. *None.*

E. QUALITY ASSURANCE

1. *By Miami-Dade County Department of Regulatory and Economic Resources.*

F. STATEMENTS

1. *FBC, 2020 and 2023 Editions Compliance Letter, dated 07/05/2023, issued, signed and sealed by Juan Jose Santandreu, P.E.*



Helmy A. Makar, P.E., M.S.
Product Control Section Supervisor
NOA No. 23-0606.02
Expiration Date: 06/07/2028
Approval Date: 08/03/2023

STRUCTURAL GREEN COMPOSITE BEARING WALL PANEL SYSTEM WITH EPS CORE

Structural Green is an Ecological and Sustainable Building System which is consistent with the requirements of Florida Building Code 2020 & 2023 Editions High Velocity Hurricane Zone and its rated design pressures. The drawings are in compliance with FBC, both 2020 Edition and 2023 Edition.

Structural Green Panels are designed to withstand the High Velocity Winds in Hurricanes Zone with the Maximum Design Load Test of (+/-)100.7 psf

Structural Green Panels is conceived as a continuous walls-roof system; nevertheless the wall and roof can be use in separated and independent ways.

Even though the roof are not part of this NOA, both use common connections to the wall and roof, so that they would be part of Integral Construction Monolithic System.

The System is a lightweight structural truss prefabricated panels comprised of expanded polystyrene (EPS) and welded wire reinforcement (WWR) to each side of galvanized steel. The panels were built with Schnell technology and with the technical assistance of this company in correspondence with the ACC-ES Schnell Report ESR-3429.

EPS geometry and additional reinforcements will vary depending on the overall Design necessities.

The thickness of the Expanded Polystyrene (EPS) ranges from 3-1/8" up to 5" depending on architectural wall design requirements. The electro-welded wire reinforcement are 3" x 3" x 0.12" (3 mm)

The work is completed on site by applying a shotcrete finish through a mechanism of pneumatic discharge. Therefore once the shotcrete has been discharged there are no horizontally or vertically joints.

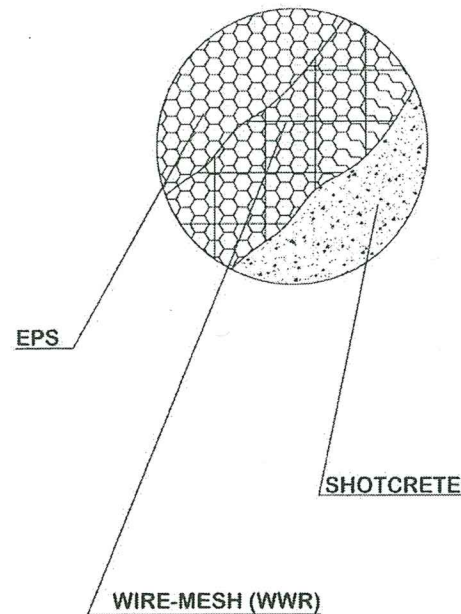
Structural Green Panel is designed to be installed for exterior and interior, bearing or non-bearing wall.

STANDARDS FOR DESIGN AND CODES

- 2020 Florida Building Code (FBC) [HVHZ] 7th Edition
 - Large Missile Impact Test, TAS 201-94
 - Static Air Pressure Test, TAS 202-94
 - Cyclic Wind Pressure Test, TAS 203-94
- ACI 506.2 Guide to Shotcrete
- ACI 318 Building or Structural Concrete

COMPONENTS SPECIFICATIONS

- EPS
 - Miami-Dade County Approved
 - Density (Min)- 0.9 pcf
 - Flame Spread- 5 (ASTM E-84)
 - Smoke Development- 400 (ASTM E-84)
 - Self-Ignition Temperature- 878 °F (ASTM 01929)
 - Average R-Value (1" Thick) Hr-ft² °F/Btu- 3.8 (ASTM C518)
 - Odor Emission- NO
 - Fungus Resistant- bacterial not grow
- GALVANIZED STEEL
 - The Galvanized steel welded wire-mesh must have a tensile limit of 80,000 psi
 - 11 Gauge (0.12") longitudinal, transversal as well as connector (3mm)
 - resulting a welded wire reinforcement of 3" x 3" x 3 mm in compliance with ASTM A 1064.
 - Welding must comply with AWS D1.4.

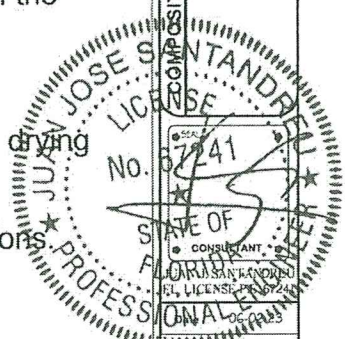


GENERAL NOTES

- 1- This wall panel system has been designed in compliance with ACI 506.2 and ACI 318
- 2- The weight of the Composite Walls Panels is 35 psf.
- 3- The weight of Roof Panel System with EPS Core Dead Load 45 psf. The allowable Maximum Superimposed Dead Load is 25 psf. The Total Dead Load of the system is therefore 70 psf.
- 4- The concrete slab must be treated according to roofing regulations ASTM D 4 treatment and any local code.
- 5- For the calculations that appear in the tables it has been considered only 1" concrete at both side of the walls; and has been taken over the Wire Mesh Top. The additional concrete between the EPS and the external part of the Mesh, including the waves; It has not been considered in the calculation.
- 6- A minimum safety factor "SF" of 1.5 shall be applied to Design Load Test, according to FBC, TAS 202 for a maximum load of 35 Kips/LF
- 7- General dimensions and any other aspect of the project including but not limited to Electrical, Mechanical Plumbing, etc are not part of this approval and shall be prepared by Architect or Registered Professional.
- 8- This NOA is based on a structural study according to the FBC. The Building dimensions, foundations and other elements into the project shall be designed by an Architect or Registered Engineer and reviewed by the Plans Examiner of the corresponding Building Department.
- 9- Any atypical design solutions that differ from what is reflected of this NOA, are not part of this approval and shall be prepared by Architect or Registered Engineer and Reviewed by the Plans Examiner of the corresponding Building Department.
- 10- The minimum thickness of EPS will be of 3 1/8".
- 11- The Panel Thickness tolerance is (+/-) 1/4" considering the possible EPS fluctuations due to final drying after assembly process.
- 12- These walls may be coated or covered with any material according to state and / or local regulations.

MAXIMUM DESIGN LOAD RATING = ± 67.13 PSF

PRODUCT REVISED
 as complying with the Florida
 Building Code
 Acceptance No. 23-0606.02
 Expiration Date 06/07/2028
 By Heidy A. Melor
 Miami Dade Product Control



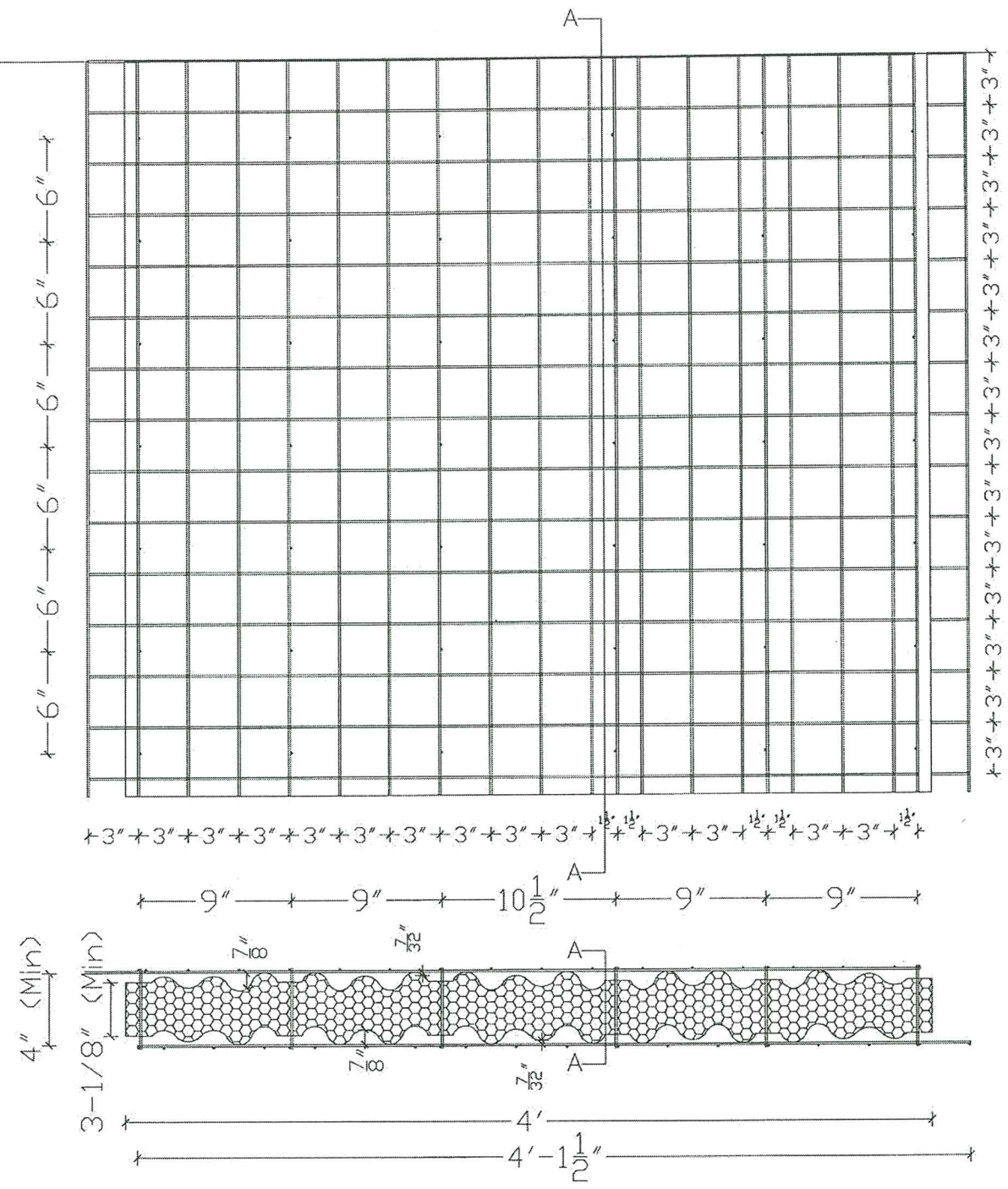
STRUCTURAL GREEN
 271 W 59 St. Hialeah, FL 33012
 Ph: (305)972-2371
 structuralgreen1@gmail.com

REVISIONS	BY
05-20-23	JS

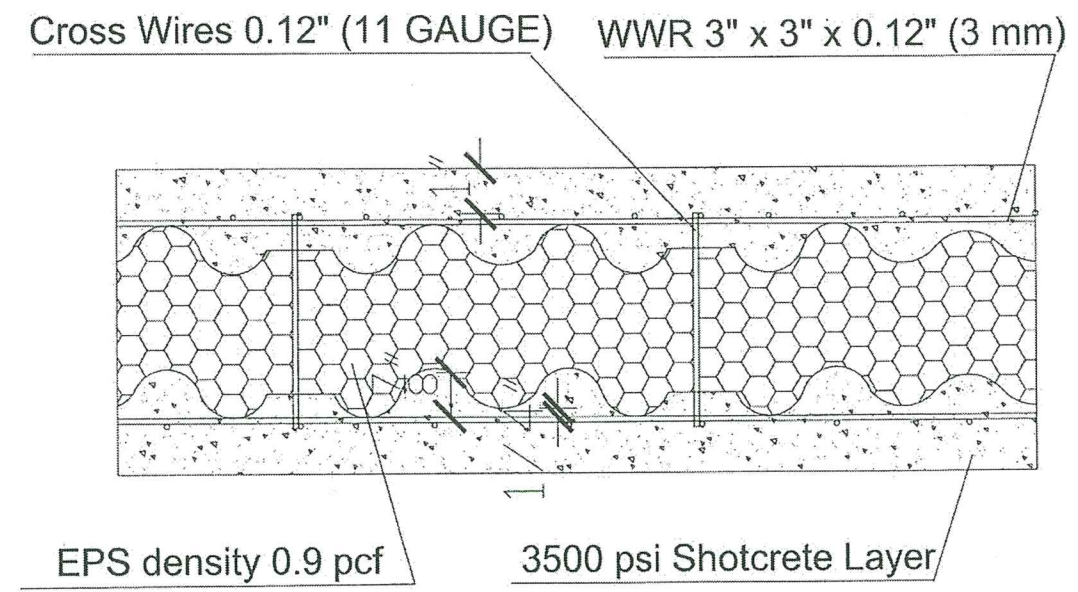
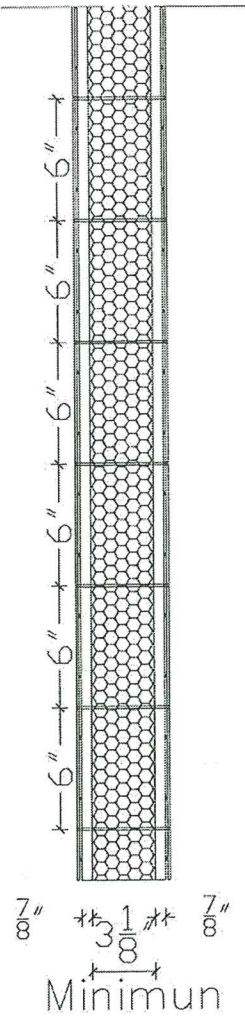
COMPOSITE STEEL-CONCRETE BEARING WALL PANEL WITH EPS CORE
 SUSTAINABLE BUILDINGS
 MONOLITHIC CONSTRUCTION SYSTEM
 (HIGH VELOCITY HURRICANE ZONE)

Structural Green
 New Generation
 of Sustainable
 Constructions
 Sheet. 1 of 8
SG.W-1

STRUCTURAL GREEN COMPOSITE BEARING WALL PANEL SYSTEM WITH EPS CORE



TYPICAL PANEL SECTION

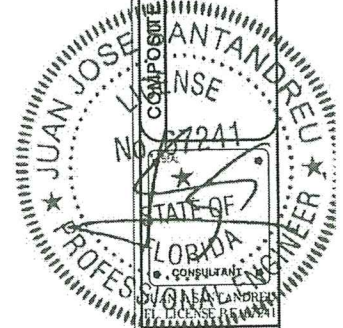


TYPICAL WALL CROSS SECTION

SG INSULATION WALLS	EPS Thickness	Rvalue hr ft ² °F/Btu
I/W/R-3	3-1/8"	13.7
I/W/R-4	4"	16.7
I/W/R-5	5"	19.1

Note: Rvalues are for information.
They are not part of this Product Approval.

PRODUCT REVISED
as complying with the Florida
Building Code
Acceptance No 23-0606.02
Expiration Date 06/02/2024
By H. A. M...
Miami Design Product Control



STRUCTURAL GREEN
271 W 59 St. Hialeah, FL 33012
Ph: (305)972-2371
structuralgreen1@gmail.com

REVISIONS	BY
01-06-17	J5

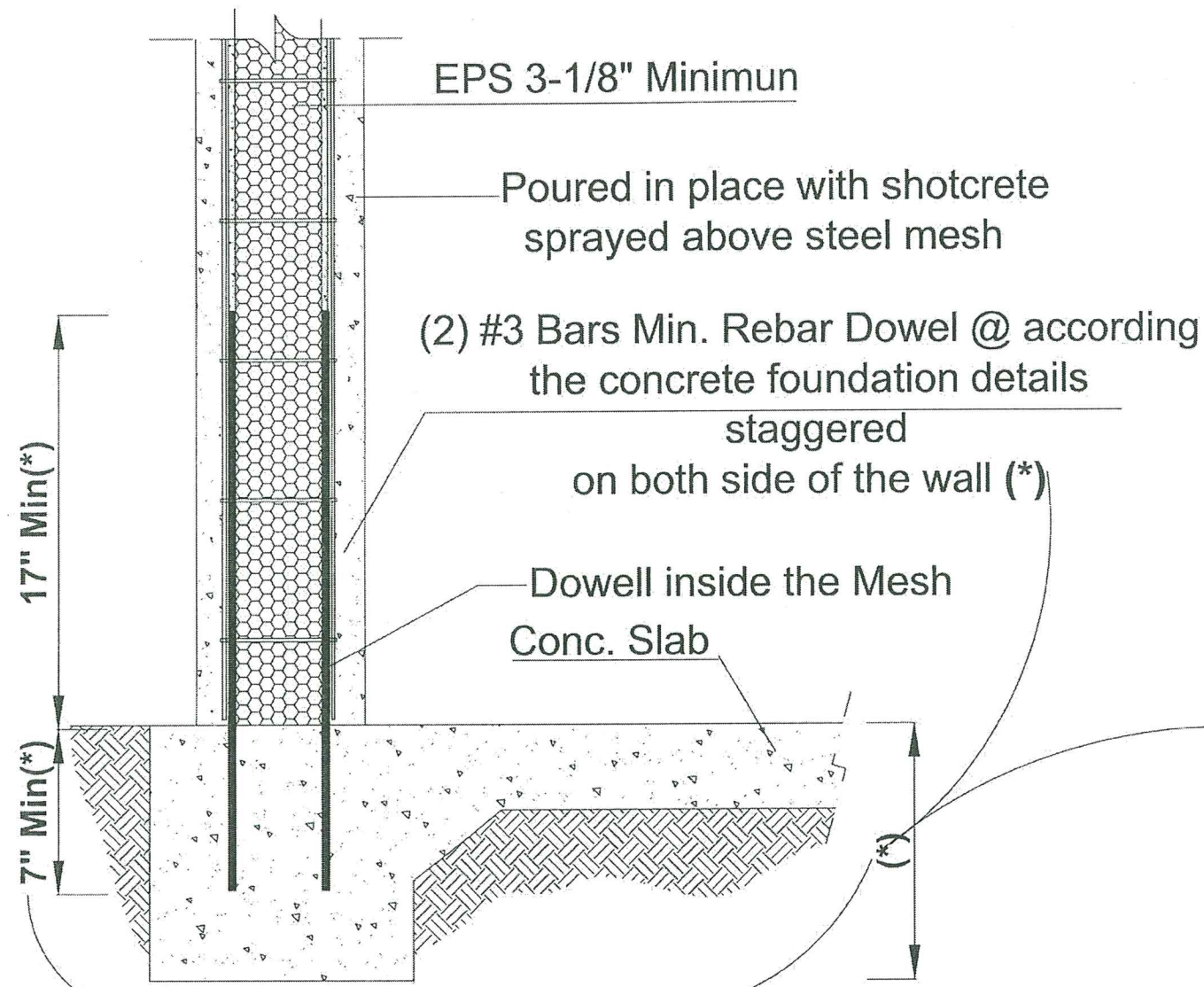
COMPOSITE STEEL-CONCRETE BEARING WALL PANEL WITH EPS CORE
SUSTAINABLE BUILDINGS
MONOLITHIC CONSTRUCTION SYSTEM
(HIGH VELOCITY HURRICANE ZONE)

Date 06-02-23
Scale NOTE
Drawn MM

Structural Green
New Generation
of Sustainable
Constructions

Sheet 2 of 8
SG.W-2

STRUCTURAL GREEN COMPOSITE BEARING WALL PANEL SYSTEM WITH EPS CORE



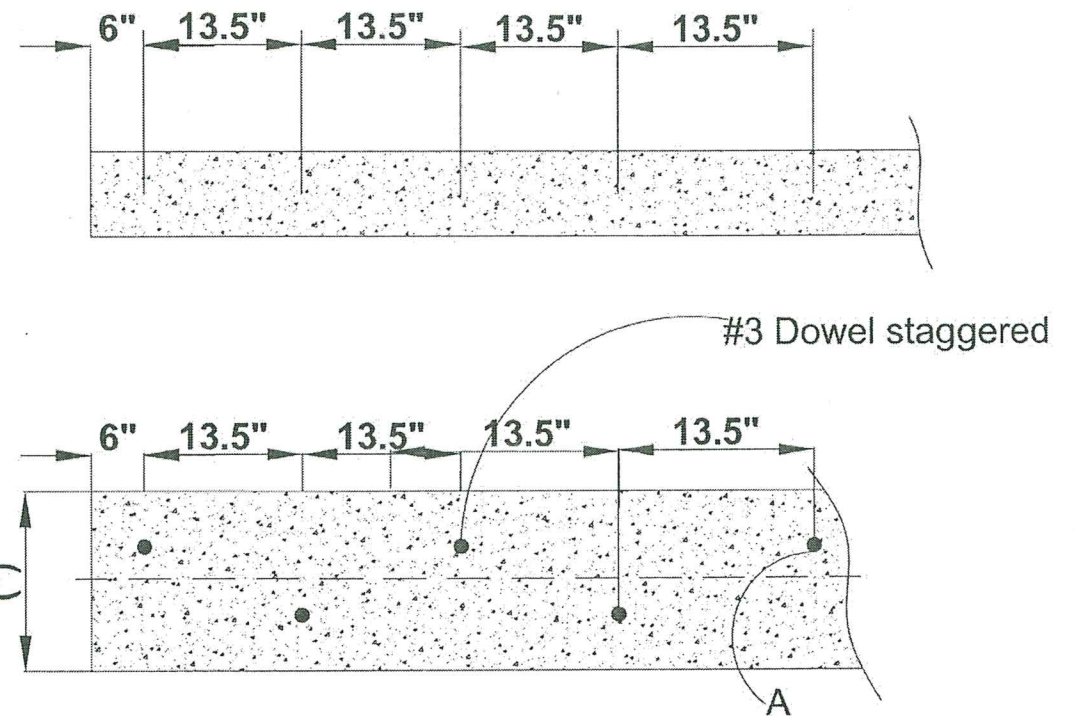
(*) Must be designed by the engineer of record

NOTE:

The corrugated steel bars dowels to concrete-base could be fixed through two (2) alternatives:

- a) Drilling the concrete and using epoxy resin for to fix the steel bars
- b) Introduction of steel bars into the fresh concrete

TYPICAL CONCRETE FOUNDATION WITH ANCHOR DOWELS LAYOUT



The #3 Dowel staggered distribution will be applied from any corner building or any door opening in both directions Starting at point "A" the distribution of the #3 Dowel staggered can be spaced at 13.5"

CONCRETE FOUNDATION TOP VIEW WITH ANCHOR DOWEL DISTRIBUTION

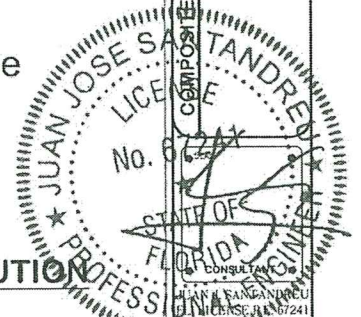
PRODUCT REVISED
 as complying with the Florida
 Building Code
 Acceptance No 23-0606.02
 Expiration Date 06/07/2024
 By H. G. A. Mator
 Miami Dade Product Control



STRUCTURAL GREEN
 271 W 59 St. Hialeah, FL 33012
 Ph: (305)972-2371
 structuralgreen1@gmail.com

REVISIONS	BY
01-06-17	JS

COMPOSITE STEEL-CONCRETE BEARING WALL PANEL WITH EPS CORE
SUSTAINABLE BUILDINGS
 MONOLITHIC CONSTRUCTION SYSTEM
 (HIGH VELOCITY HURRICANE ZONE)



Date	06-02-23
Scale	NOTE
Drawn	MM

Structural Green
 New Generation
 of Sustainable
 Constructions

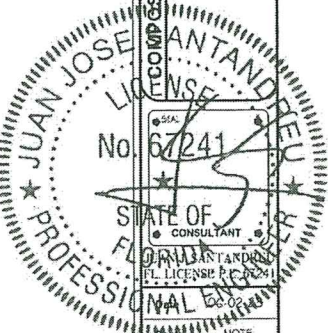
STRUCTURAL GREEN COMPOSITE BEARING WALL PANEL SYSTEM WITH EPS CORE



STRUCTURAL GREEN
 271 W 59 St. Hialeah, FL 33012
 Ph: (305)972-2371
 structuralgreen1@gmail.com

REVISIONS	BY
01-06-17	J5

COMPOSITE STEEL-CONCRETE BEARING WALL PANEL WITH EPS CORE
SUSTAINABLE BUILDINGS
 MONOLITHIC CONSTRUCTION SYSTEM
 (HIGH VELOCITY HURRICANE ZONE)



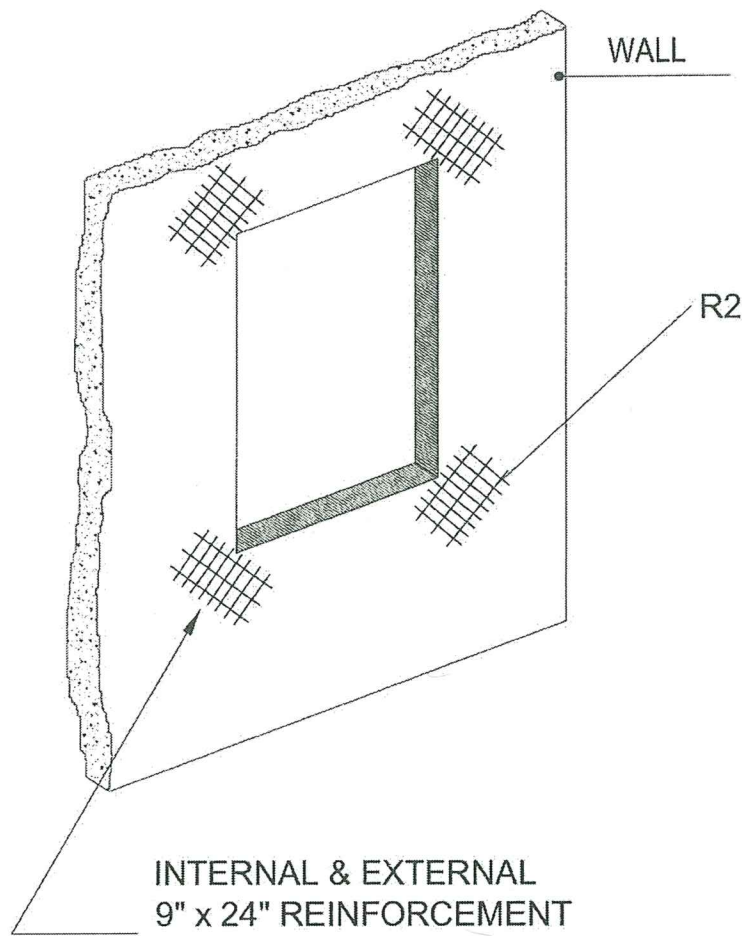
Drawn: MM

Structural Green
 New Generation
 of Sustainable
 Constructions

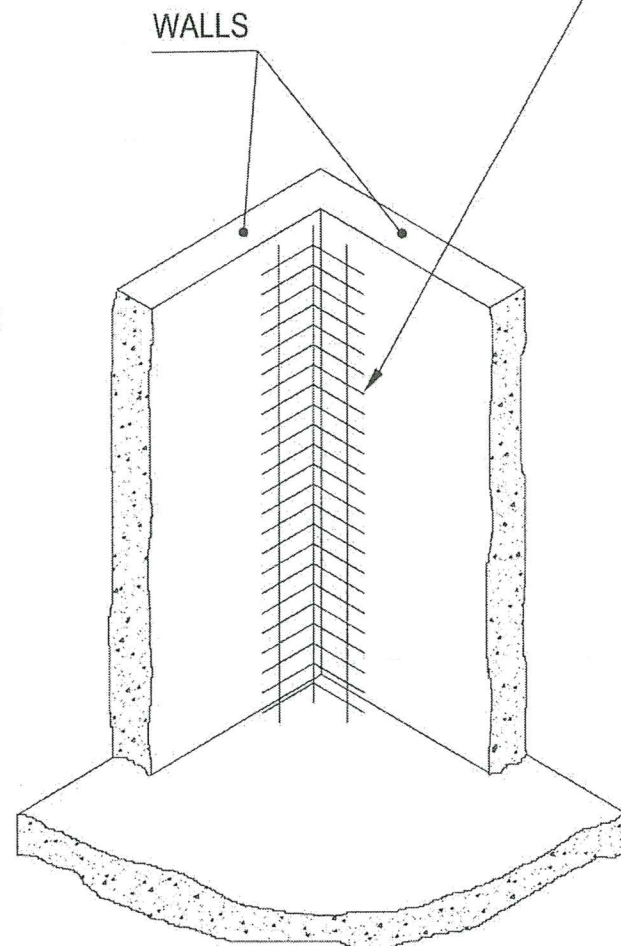
Sheet 4 of 8

SG.W-4

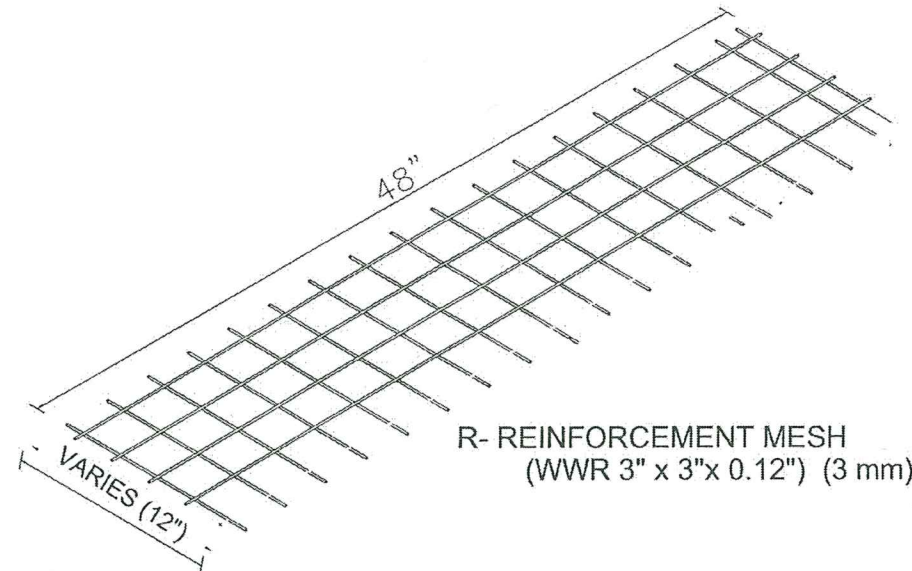
WALL CORNER INTERNAL & EXTERNAL REINFORCEMENT R1



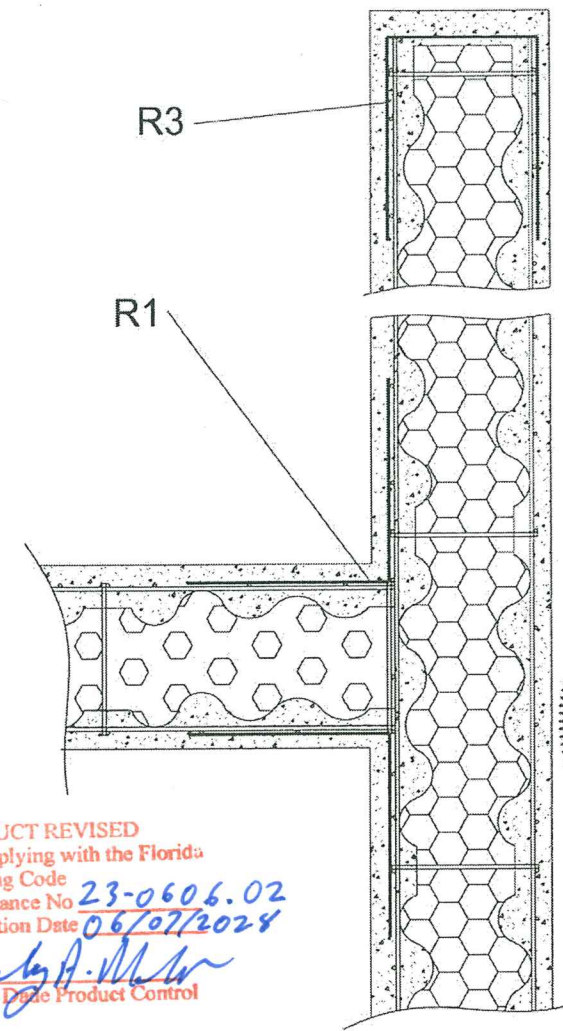
INTERNAL & EXTERNAL
 9" x 24" REINFORCEMENT
 CORNER WINDOWS AND
 DOOR R2



THE REINFORCEMENT OF JOINTS IS USED ACCORDING TO ASTM A 1064

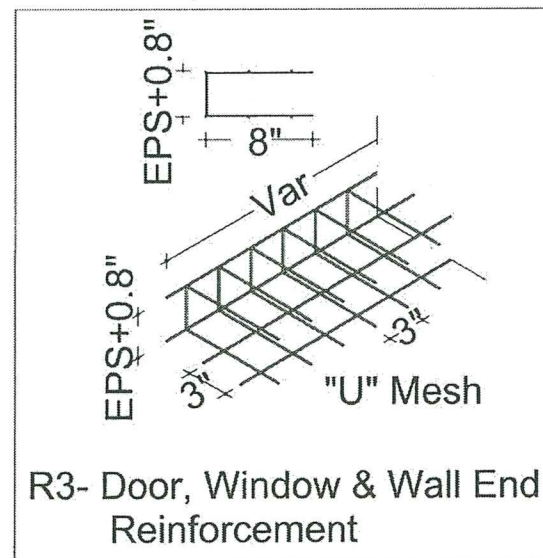
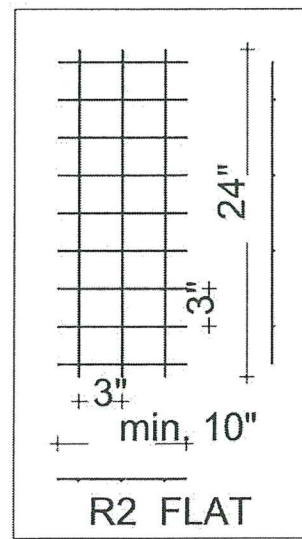
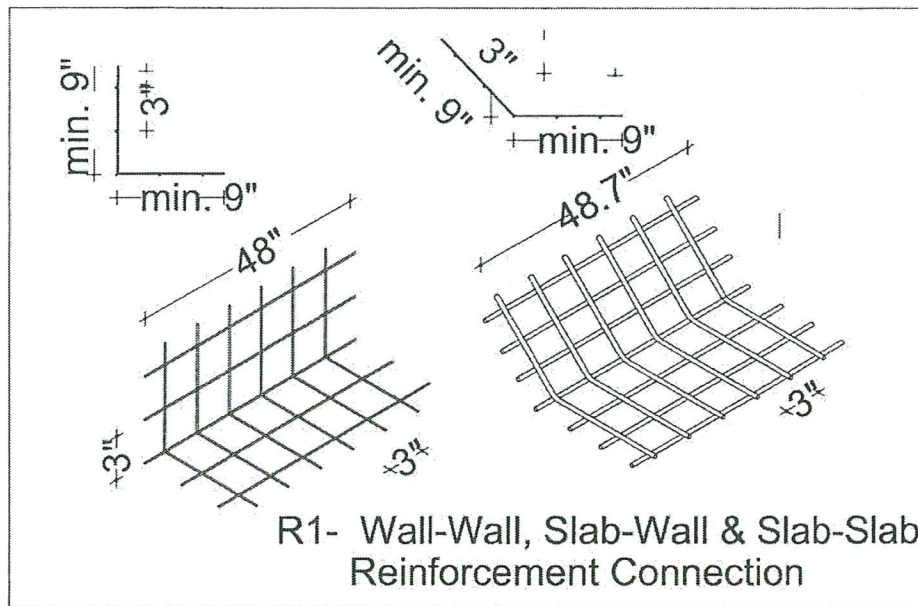


TYPICAL REINFORCEMENT DETAIL USED ON WALL PANEL ASSEMBLIES



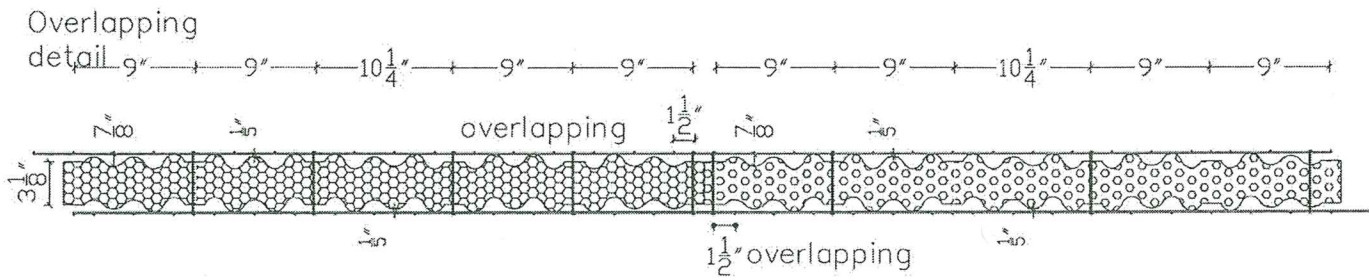
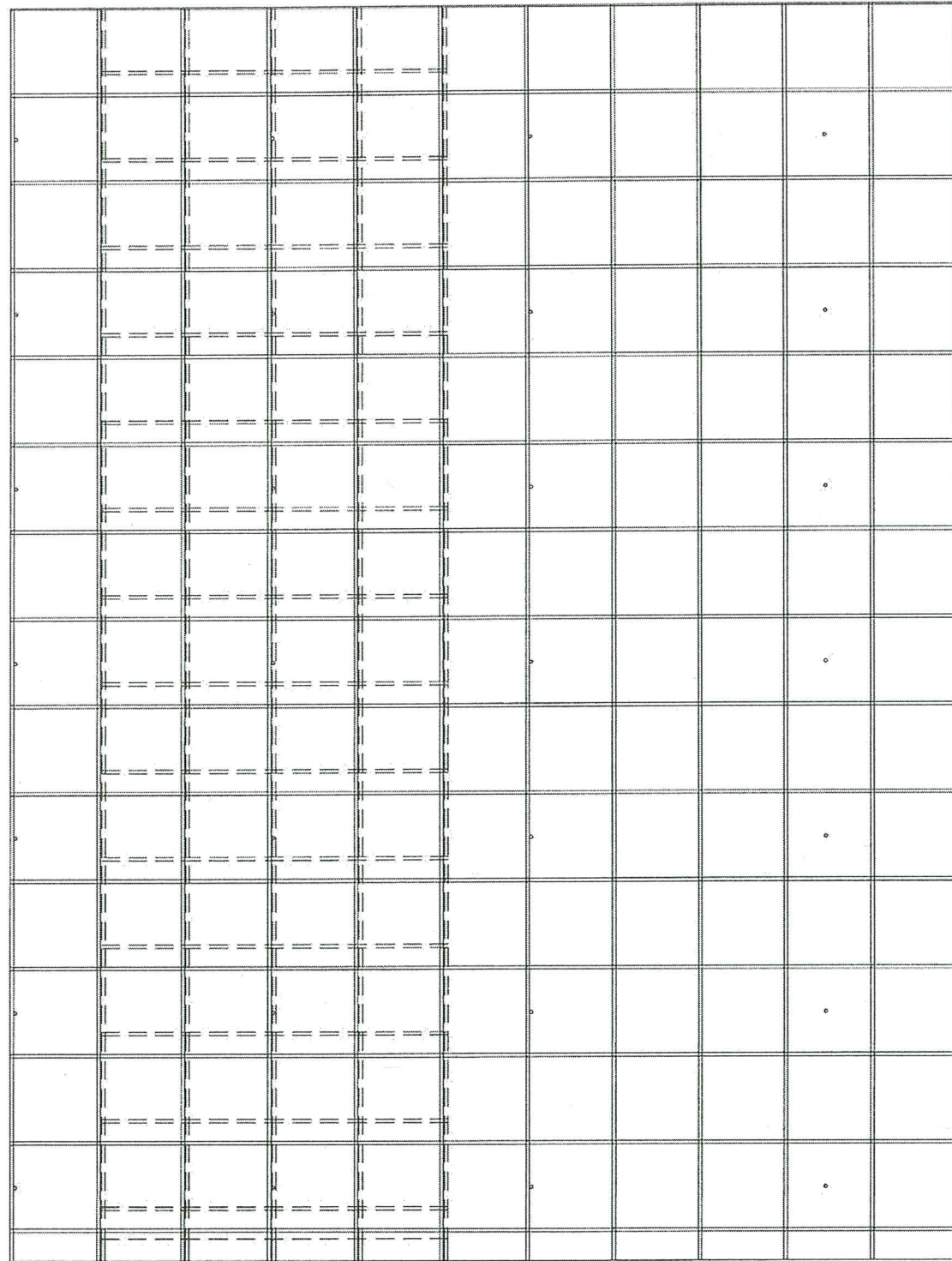
PRODUCT REVISED
 as complying with the Florida
 Building Code
 Acceptance No. 23-0606.02
 Expiration Date 06/07/2028
 By: *[Signature]*
 Miami Dade Product Control

TYPICAL WALL CORNER CROSS SECTION

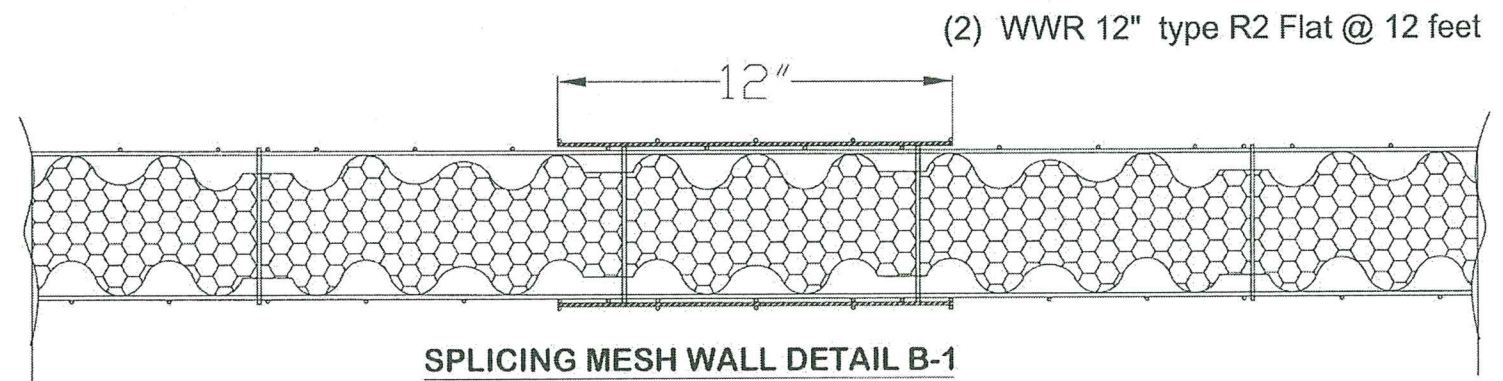


TYPICAL REINFORCEMENTS

STRUCTURAL GREEN COMPOSITE BEARING WALL PANEL SYSTEM WITH EPS CORE

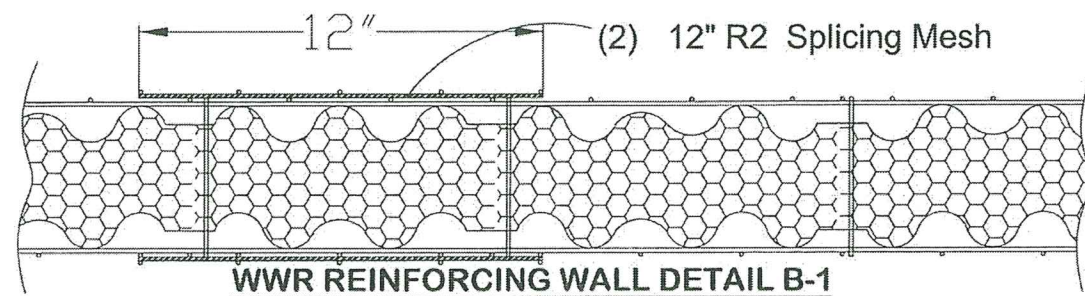


TYPICAL WWR OVERLAPPING DETAIL



SPLICING MESH WALL DETAIL B-1

NOTE: When the wall length exceed 16' of length, WWR type R2 Flat reinforcements mesh of 12 inches wide will be installed on both sides of the wall panel according to Reinforcing Wall Details "B1"
When there is cross wall at 16', then R2 Reinforcement Mesh is not required.



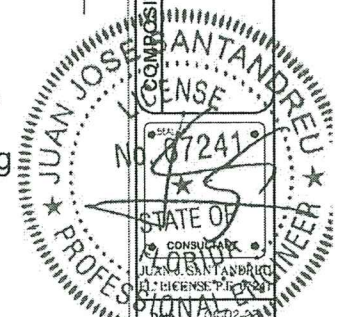
WWR REINFORCING WALL DETAIL B-1



STRUCTURAL GREEN
271 W 59 St. Hialeah, FL 33012
Ph: (805)972-2371
structuralgreen1@gmail.com

REVISIONS	BY
01-06-17	J5

COMPOSITE STEEL-CONCRETE BEARING WALL PANEL WITH EPS CORE
SUSTAINABLE BUILDINGS
MONOLITHIC CONSTRUCTION SYSTEM
HIGH VELOCITY HURRICANE ZONE

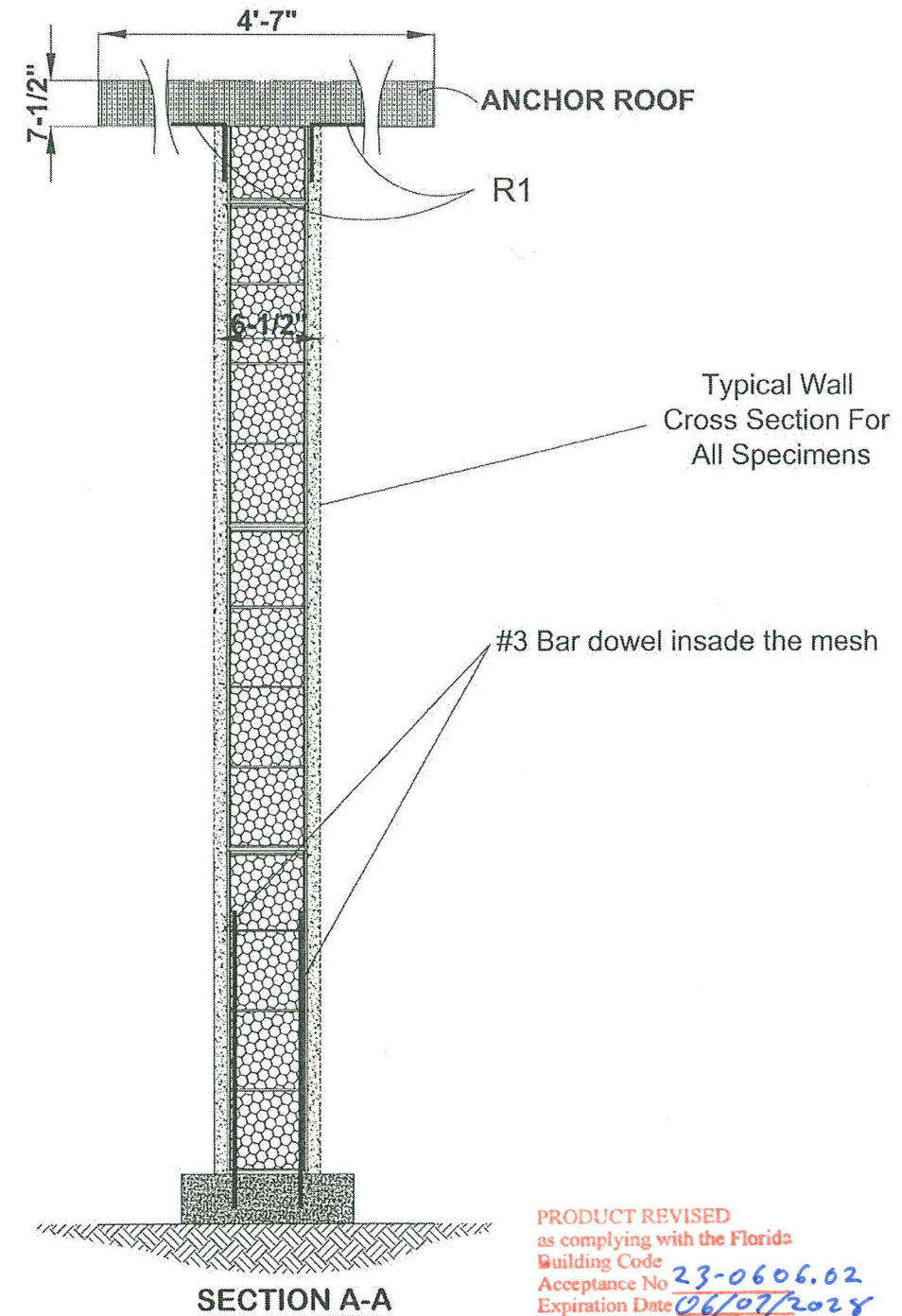
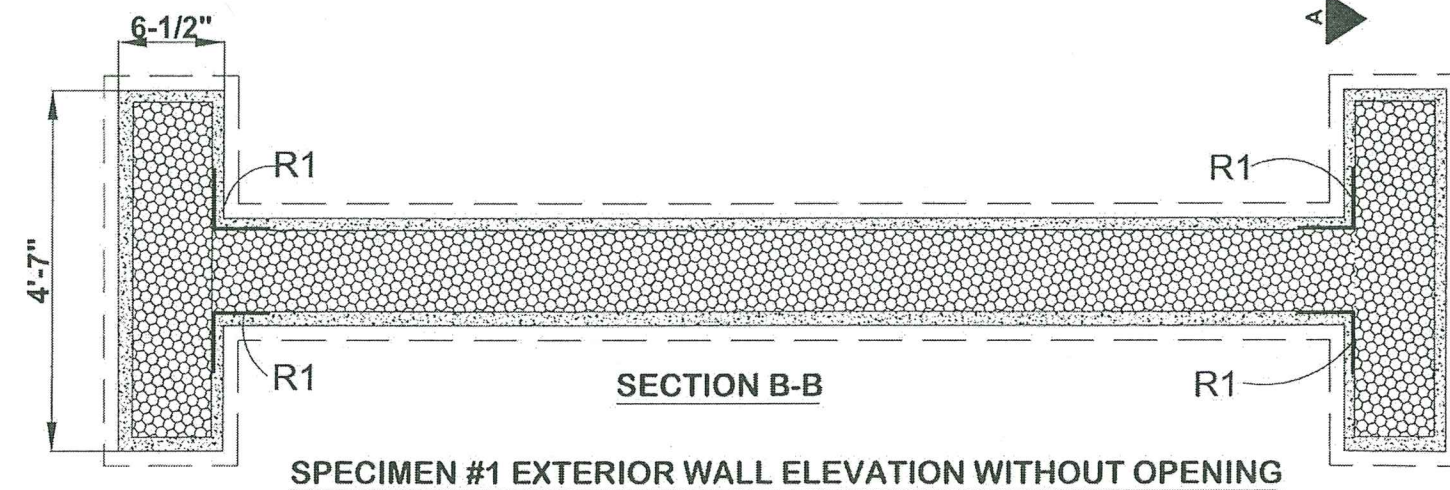
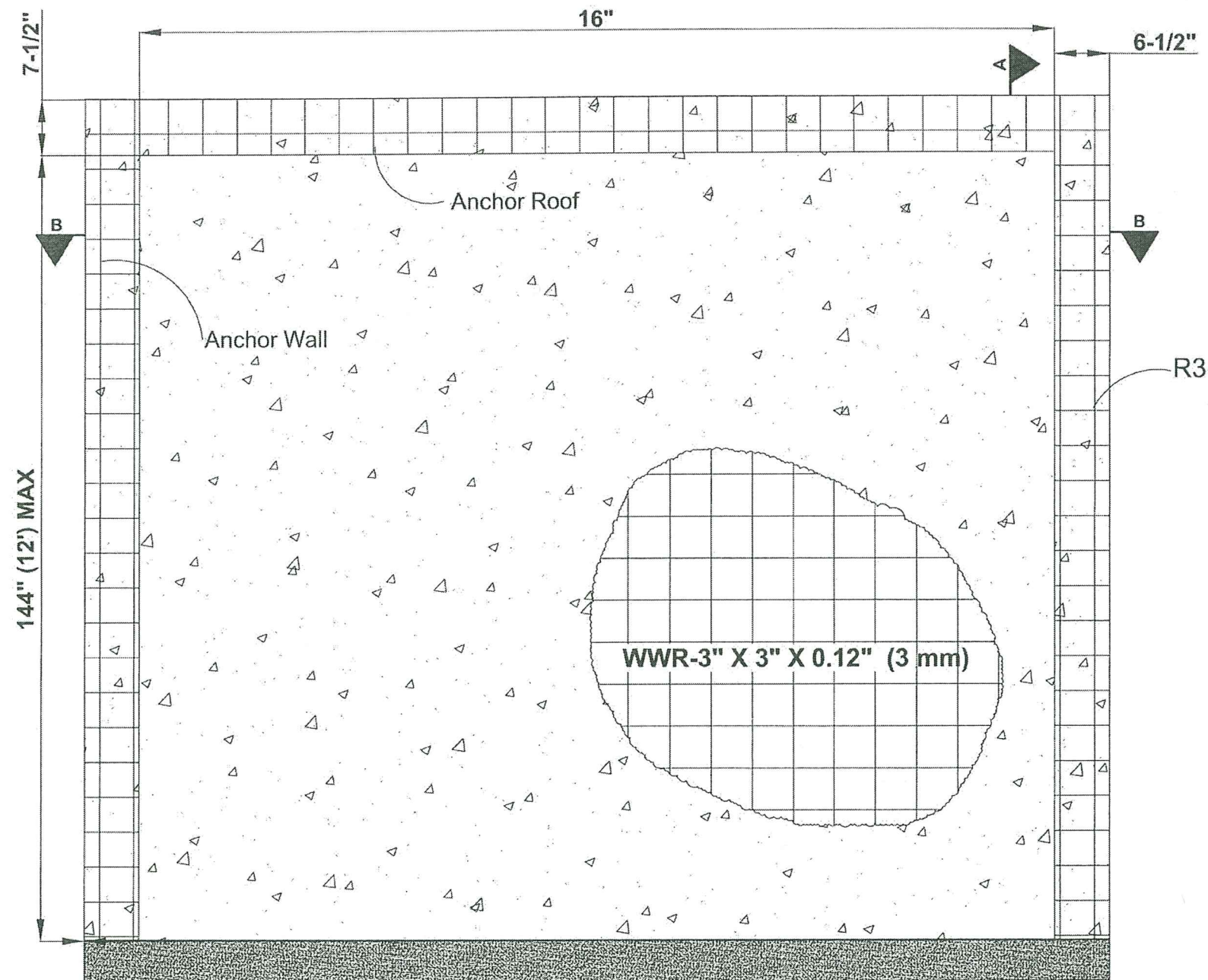


PRODUCT REVISED
as complying with the Florida
Building Code
Acceptance No 23-0606.02
Expiration Date 06/07/2028
By He yu A. Miller
Miami Design Product Control

Scale: _____ NOTE: _____
Drawn: MM
Structural Green
New Generation
of Sustainable
Constructions

Sheet 5 of 8
SG.W-5

STRUCTURAL GREEN COMPOSITE BEARING WALL PANEL SYSTEM WITH EPS CORE



PRODUCT REVISED
as complying with the Florida
Building Code
Acceptance No 23-0606.02
Expiration Date 06/07/2028
By *[Signature]*
Miami Data Product Control

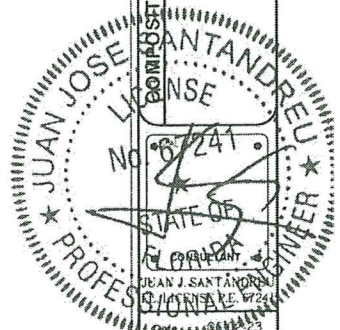
16' WIDE X 12'-0" HIGH MAXIMUM WALL DIMENSIONS WITH
FOUR SIDES SUPPORTED BY THE ROOF ON TOP AND SG
WALLS ON THE SIDES AND FOUNDATION ON BOTTOM.



STRUCTURAL GREEN
271 W 59 St. Hialeah, FL 33012
Ph: (305)972-2371
structuralgreen1@gmail.com

REVISIONS	BY
01-06-17	JS

COMPOSITE STEEL-CONCRETE BEARING WALL PANEL WITH EPS CORE
SUSTAINABLE BUILDINGS
MONOLITHIC CONSTRUCTION SYSTEM
(HIGH VELOCITY HURRICANE ZONE)



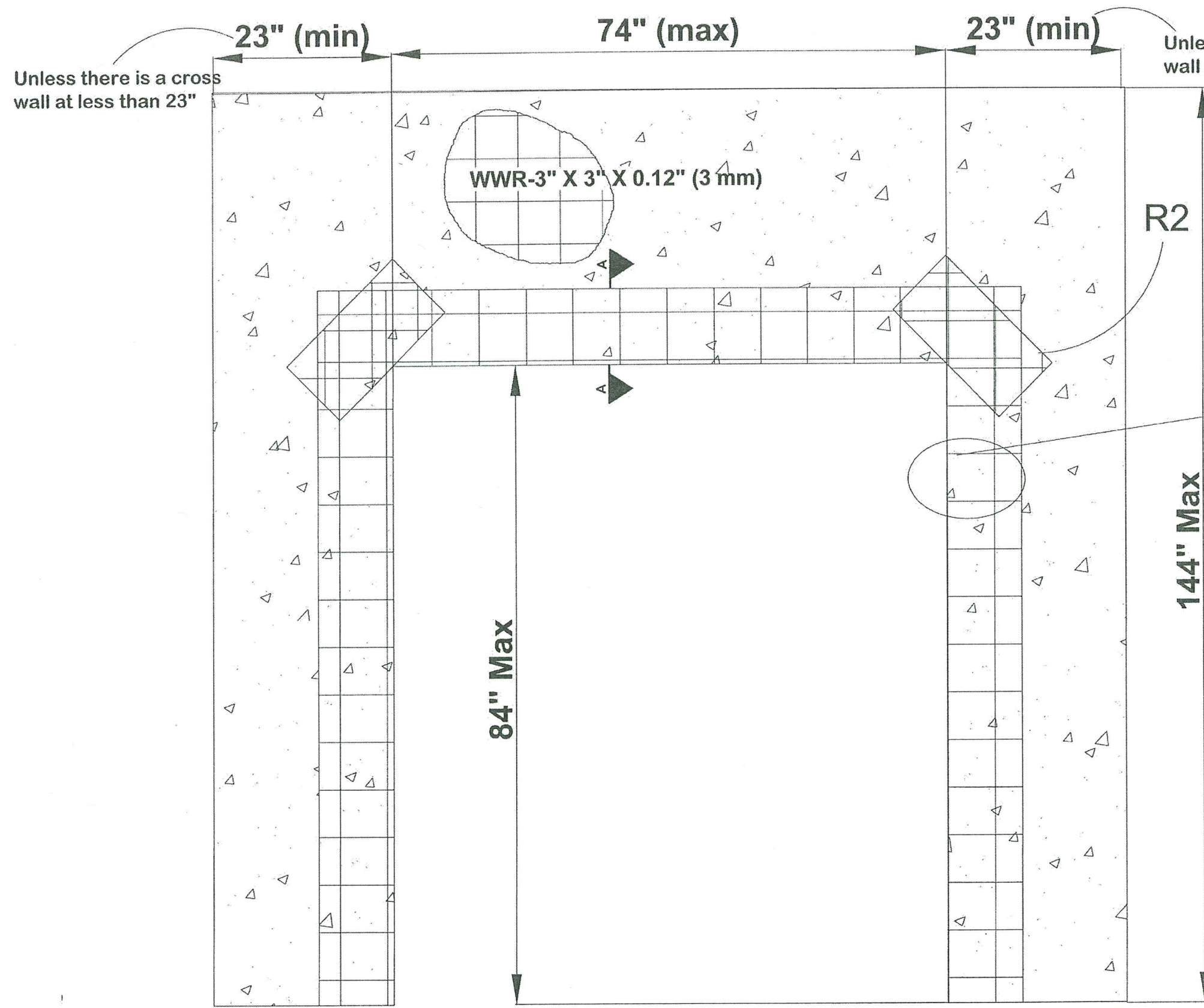
Scale: NOTE
Drawn: MM

Structural Green
New Generation
of Sustainable
Constructions

Sheet 6 of 8

SG.W-6

STRUCTURAL GREEN COMPOSITE BEARING WALL PANEL SYSTEM WITH EPS CORE



Unless there is a cross wall at less than 23"

Unless there is a cross wall at less than 23"

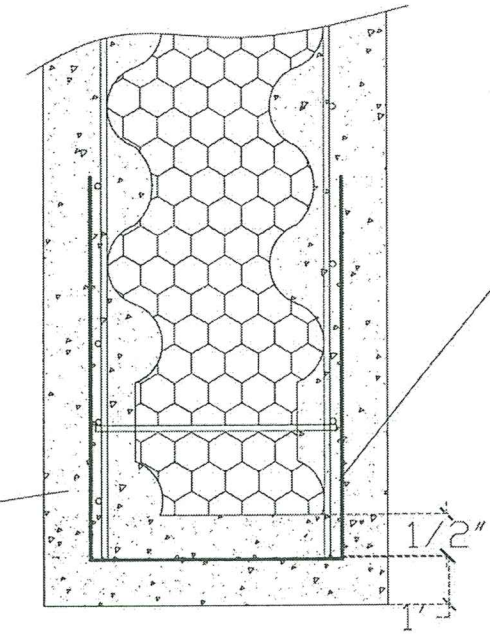
WWR-3" X 3" X 0.12" (3 mm)

R2

R3

84" Max

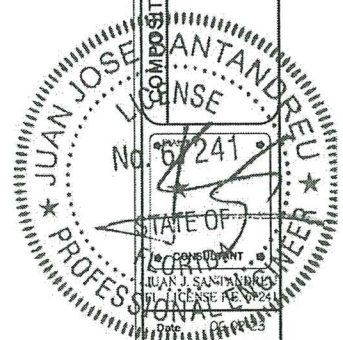
144" Max



SECTION A-A
TYPICAL REINFORCEMENT PLACED
AROUND WALL OPENING WALL ENDS

SPECIMEN #2 WALL EXTERIOR ELEVATION WITH DOOR OPENING

PRODUCT REVISED
as complying with the Florida
Building Code
Acceptance No 23-0606.02
Expiration Date 06/07/2028
By *[Signature]*
Miami Dade Product Control



STRUCTURAL GREEN
271 W 59 St. Hialeah, FL 33012
Ph: (305)972-2371
structuralgreen1@gmail.com

REVISIONS	BY
01-06-17	J5

COMPOSITE STEEL-CONCRETE BEARING WALL PANEL WITH EPS CORE
SUSTAINABLE BUILDINGS
MONOLITHIC CONSTRUCTION SYSTEM
(HIGH VELOCITY HURRICANE ZONE)

Scale NOTE
Drawn MM

Structural Green
New Generation
of Sustainable
Constructions

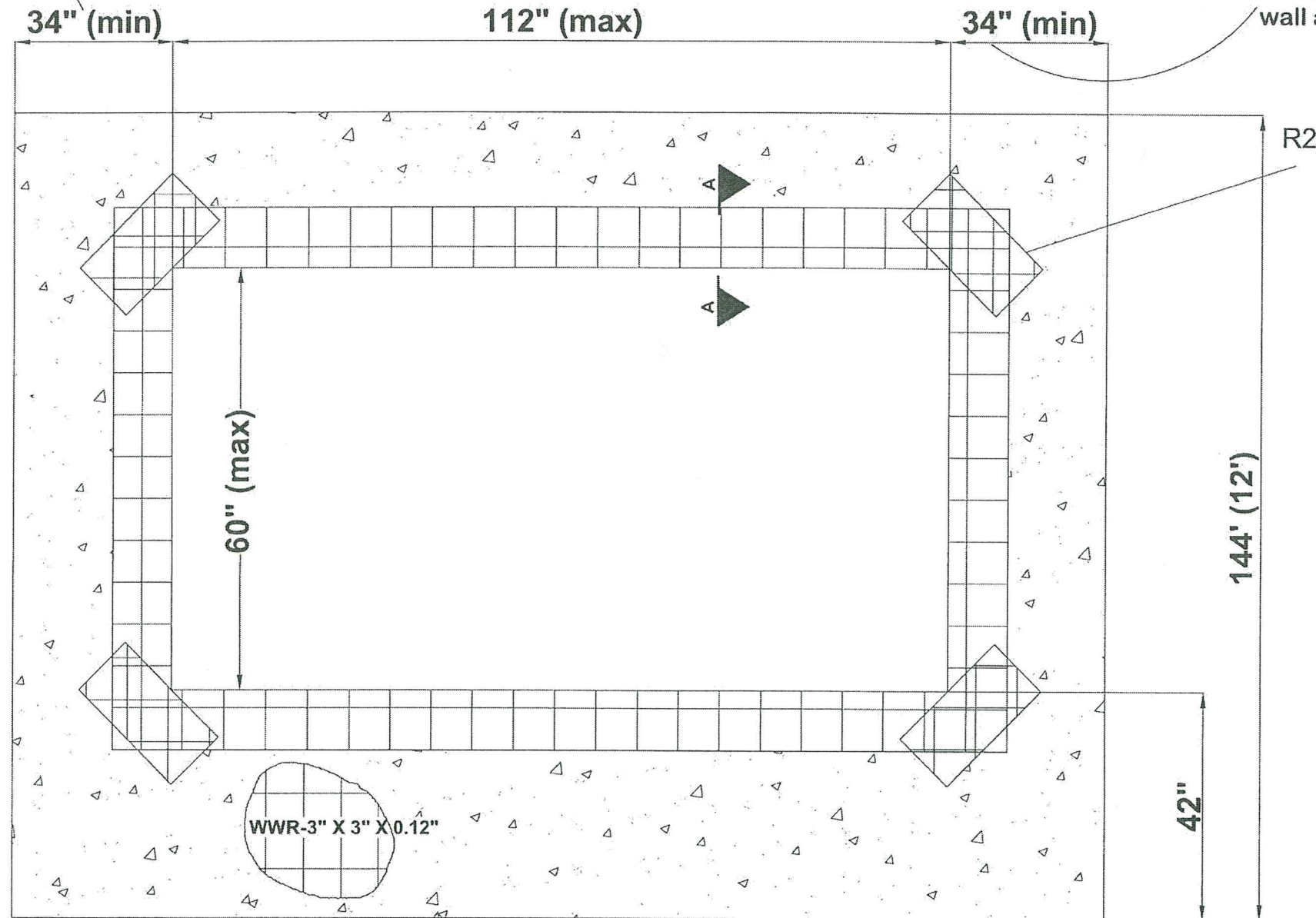
Sheet 7 of 8

SG.W-7

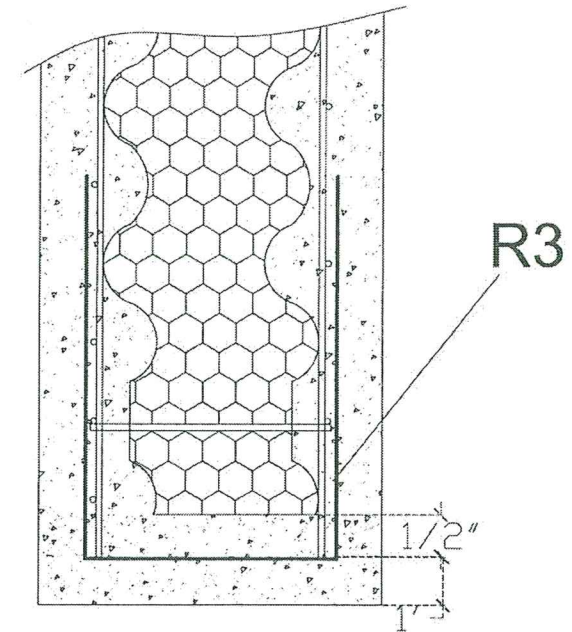
STRUCTURAL GREEN COMPOSITE BEARING WALL PANEL SYSTEM WITH EPS CORE

Unless there is a cross wall at less than 34"

Unless there is a cross wall at less than 34"



SPECIMEN #3 WALL EXTERIOR ELEVATION WITH WINDOW OPENING



SECTION A-A

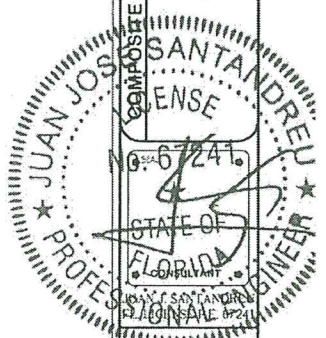
TYPICAL REINFORCEMENT PLACED AROUND WALL OPENING AND AROUND WALL ENDS



STRUCTURAL GREEN
271 W 59 St. Hialeah, FL 33012
Ph: (305)972-2371
structuralgreen1@gmail.com

REVISIONS	BY
05-20-23	J.S

COMPOSITE STEEL-CONCRETE BEARING WALL PANEL WITH EPS CORE
SUSTAINABLE BUILDINGS
MONOLITHIC CONSTRUCTION SYSTEM
(HIGH VELOCITY HURRICANE ZONE)



PRODUCT REVISED
as complying with the Florida
Building Code
Acceptance No 23-0606.02
Expiration Date 06/07/2024
By Helga P. Melin
Miami Date Product Control

Scale	NOTE
Drawn	J/M
Structural Green New Generation of Sustainable Constructions	
Sheet 8 of 8	
SG.W-8	